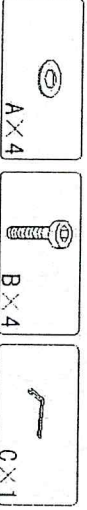
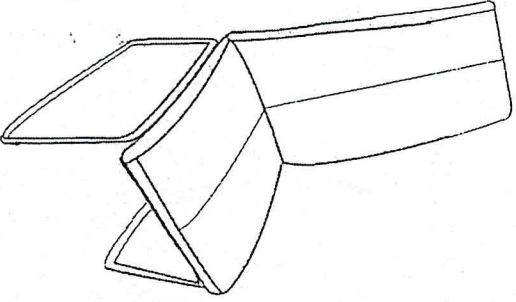


ASSEMBLY INSTRUCTIONS

DINING CHAIR

MODEL. NO. DC-6



①

