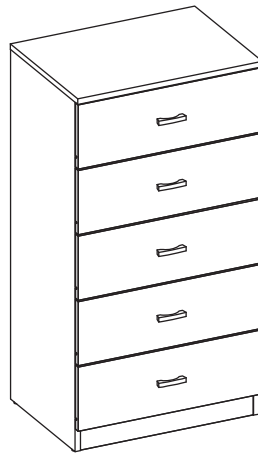


Ref.

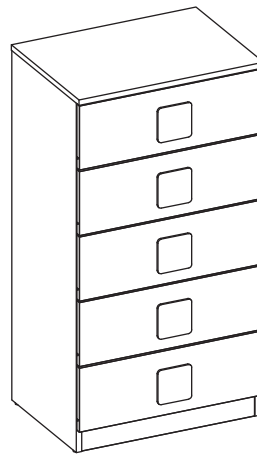
H526-5 / J526-5

J527-5

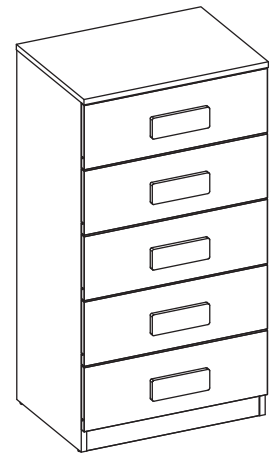
ns: 6695



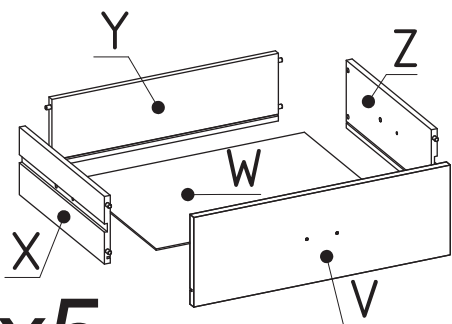
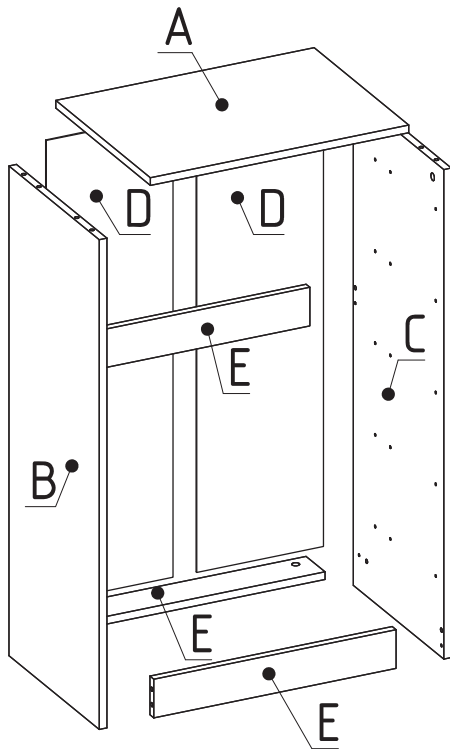
Ref. H526-5



Ref. J526-5



Ref. J527-5



x5

BOLSA 1 (BAG 1 / SAC 1 / WERKZEUGBEUTEL 1)

10	HEM/0762	
1	HEP/0024	
10	HEM/0011	
10	MCH/0001	
10	HEM/0649	
30	HEM/0079	
4	HEP/0218	
		M4x10mm
10	HEM/0069	
		Ø6x11mm
20	HEM/0221	
		Ø4x30mm
10	HEM/0795	

10	HEM/0298A	
----	-----------	--

Ref. H526-5

5	TIRJOA	
---	--------	--

o / or / ou

Ref. J526-5

5	TIRNUA	
---	--------	--

o / or / ou

Ref. J527-5

5	TIRREC	
---	--------	--

GARANTÍA/GUARANTEE/GARANTIE



<https://szsuares.com/es/politica-de-devoluciones-y-garantia>

VIDEO-ESQUEMAS DE MONTAJE EN:
ASSEMBLED-INSTRUCTIONS VIDEO IN:
VIDEO-INSTRUCTIONS DE MONTAGE:
VIDEO-SCHEMA IN:



<https://www.youtube.com/channel/UCSNmriXEX-jpc-0kKAHvMNjg>

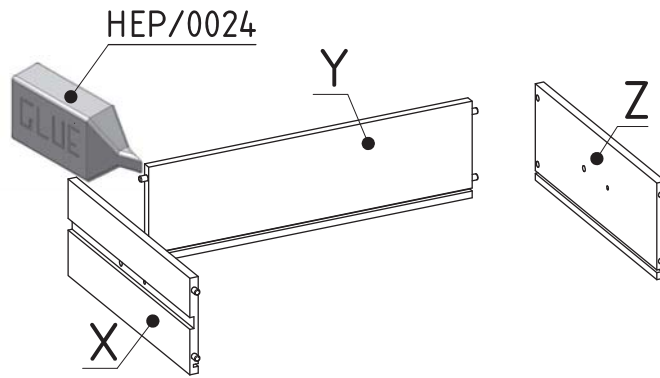


1977 SPAIN
FURNITURE FACTORY
szsuares.com

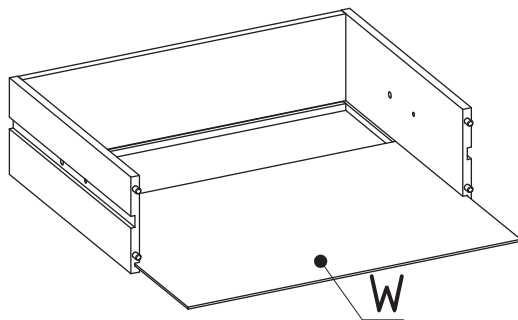
Rev.02

1 x5

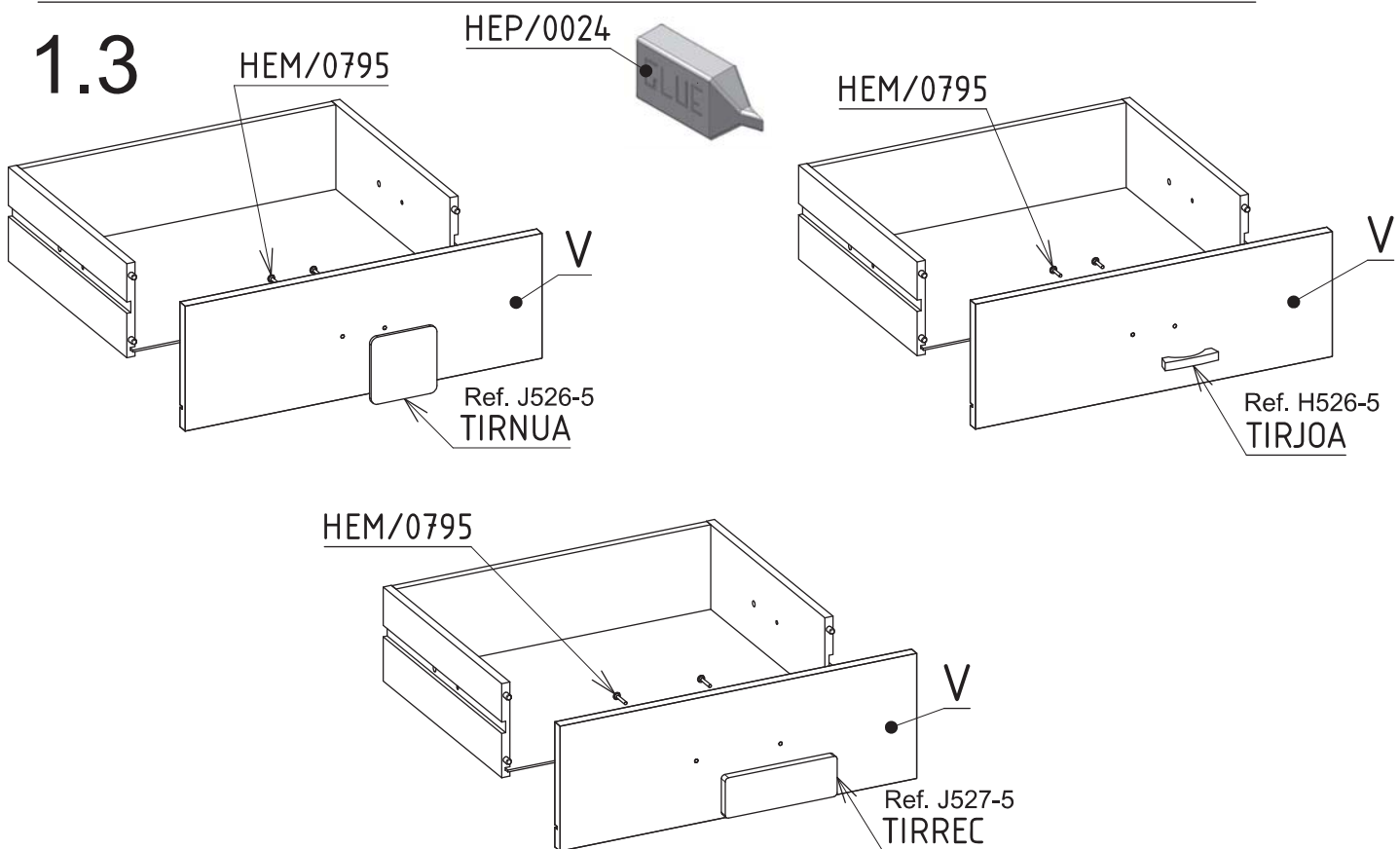
1.1



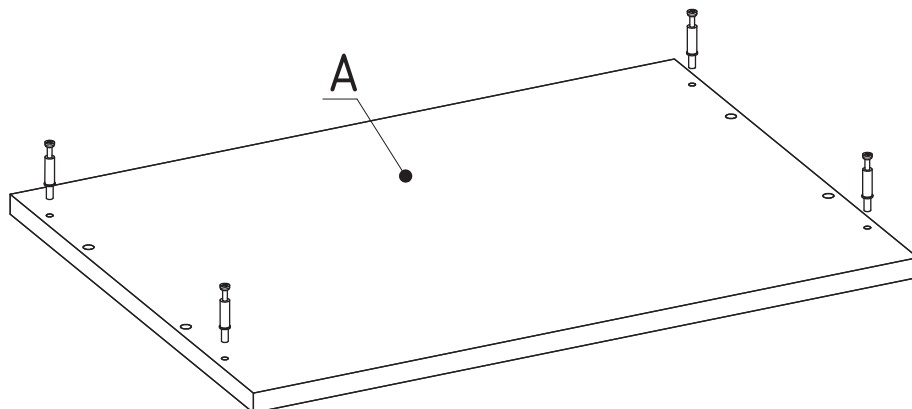
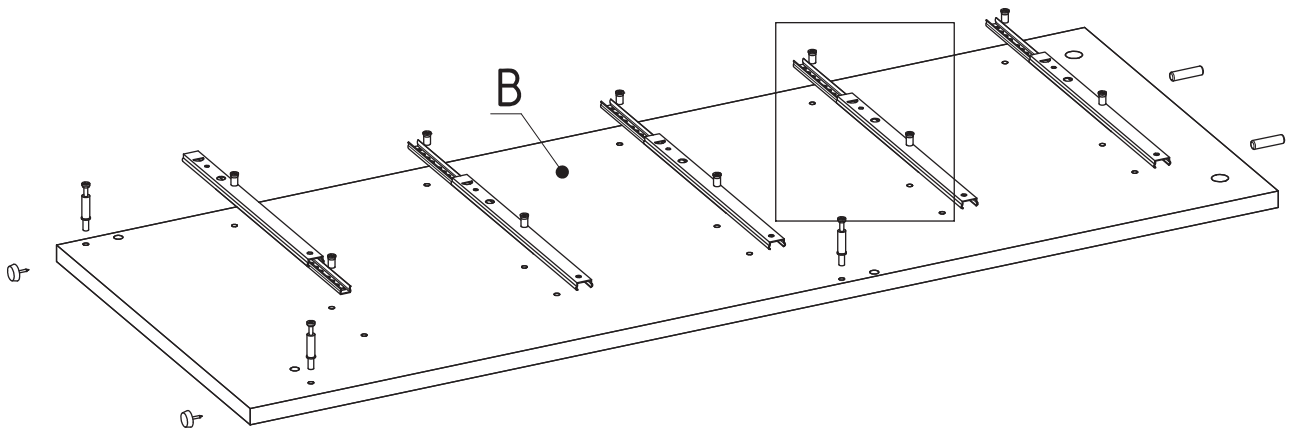
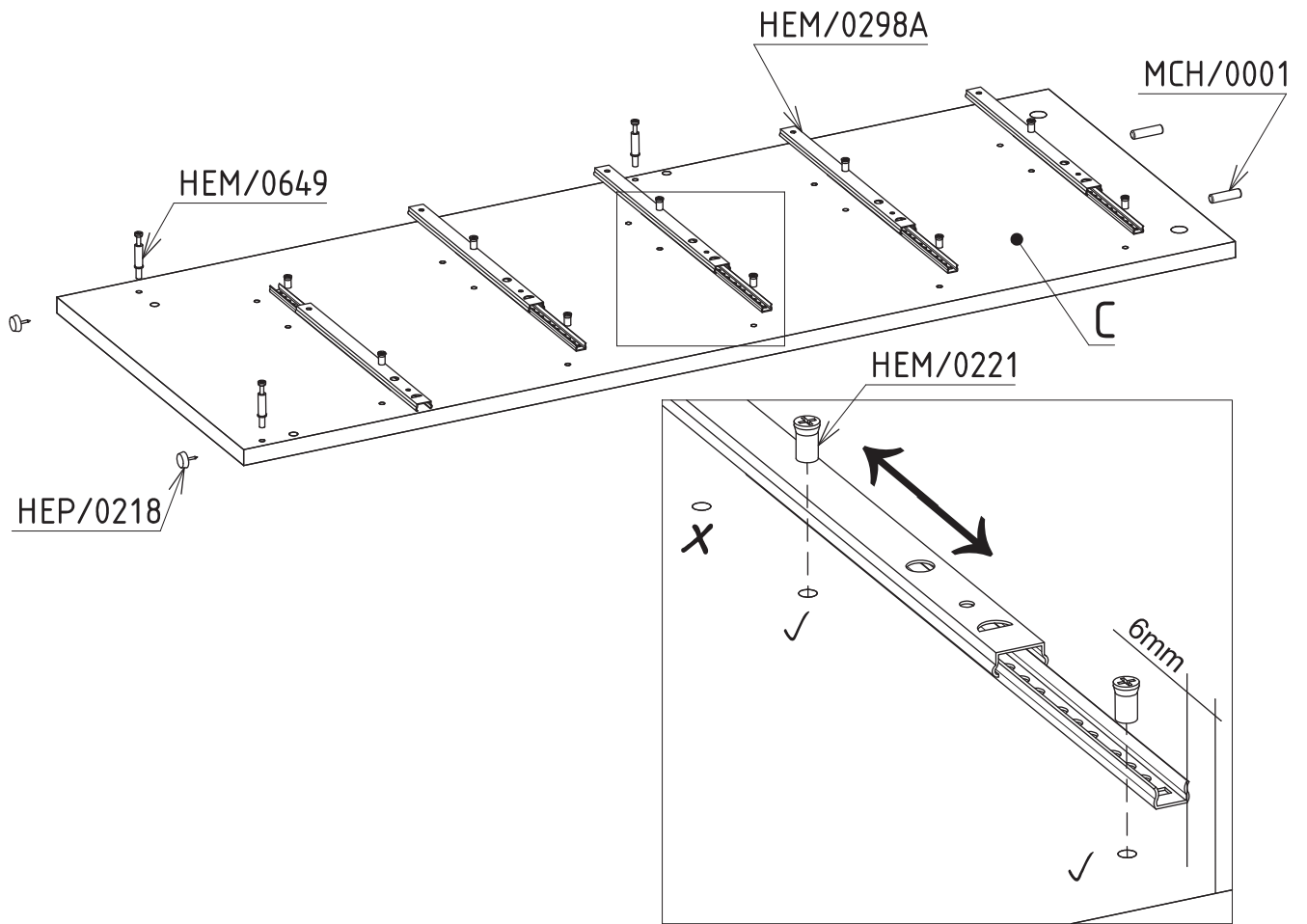
1.2



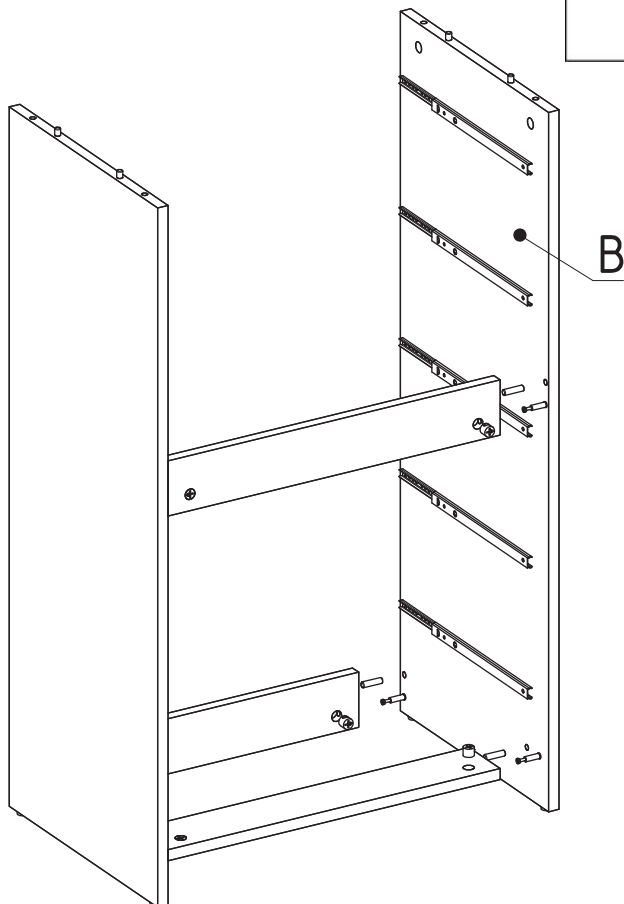
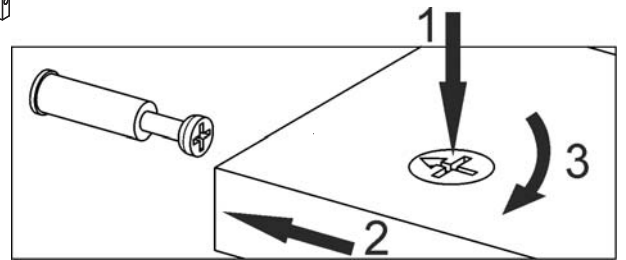
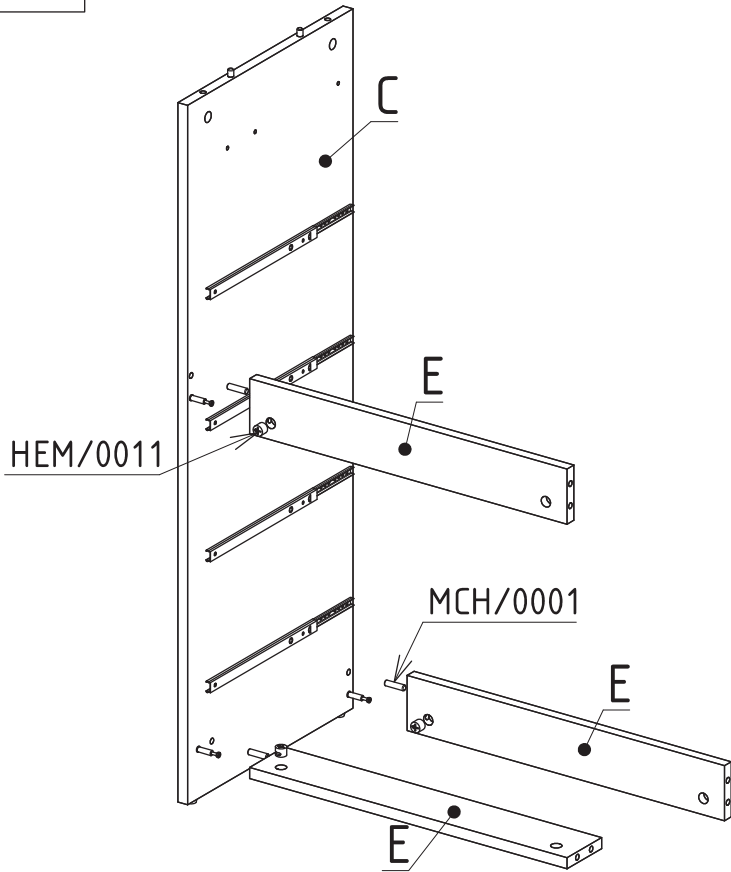
1.3



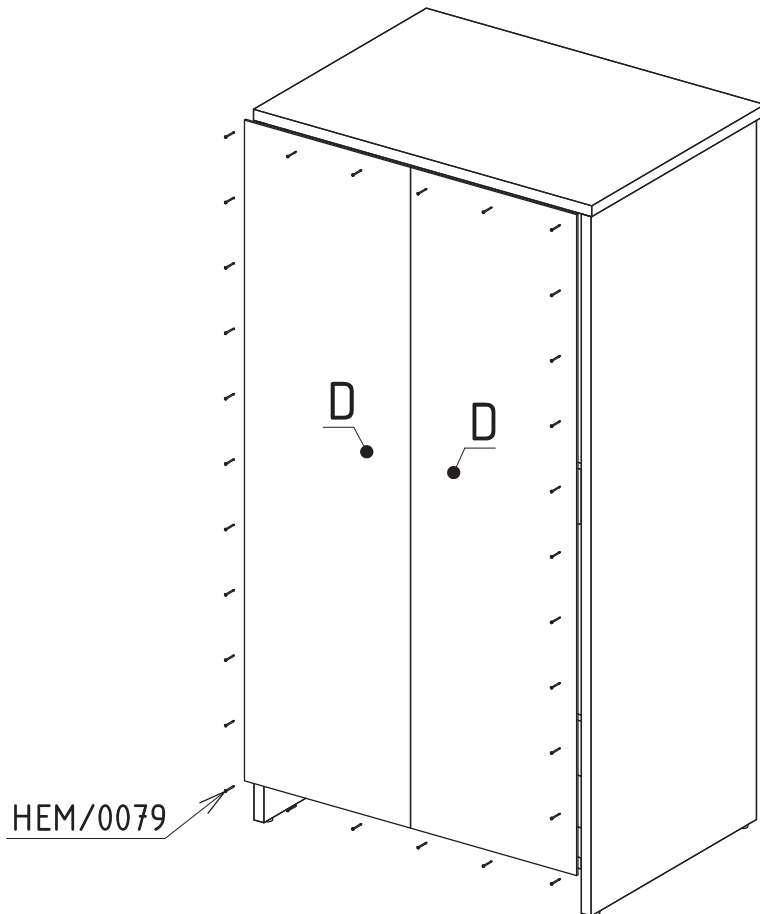
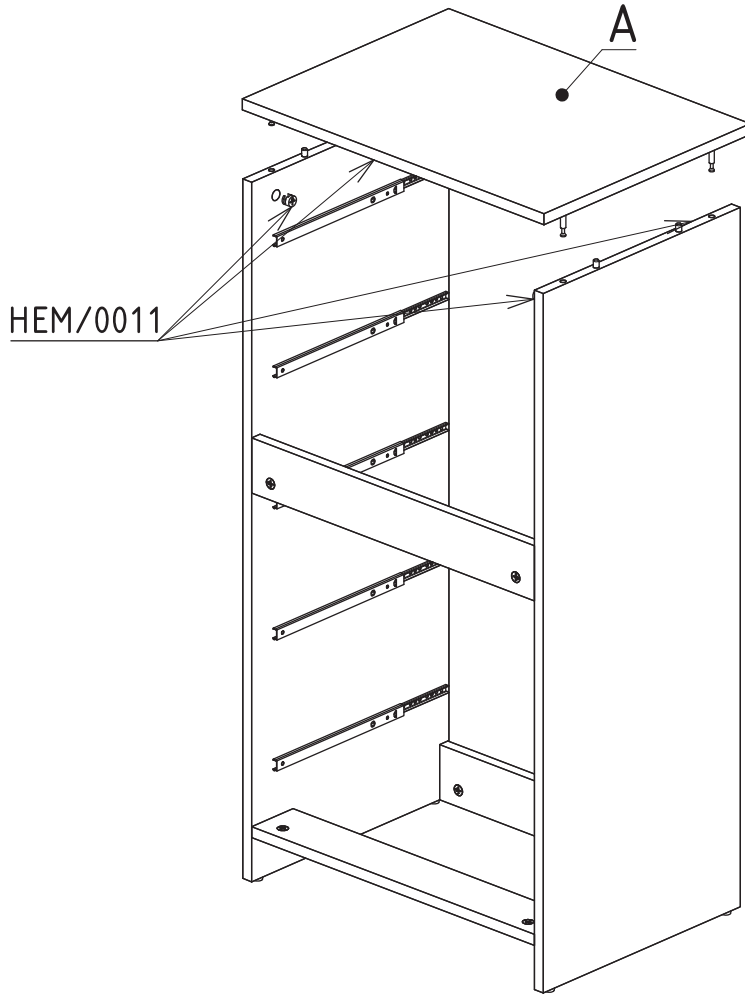
2



3



4



5

5

