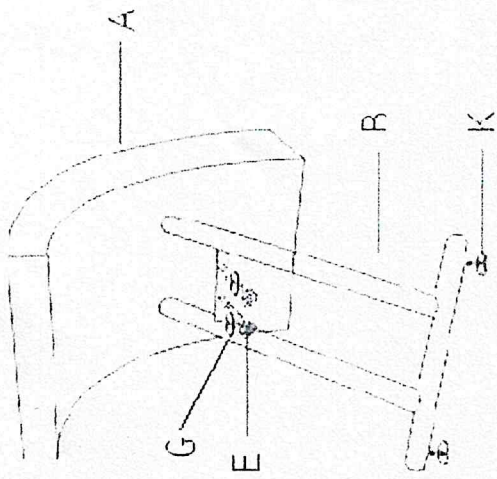
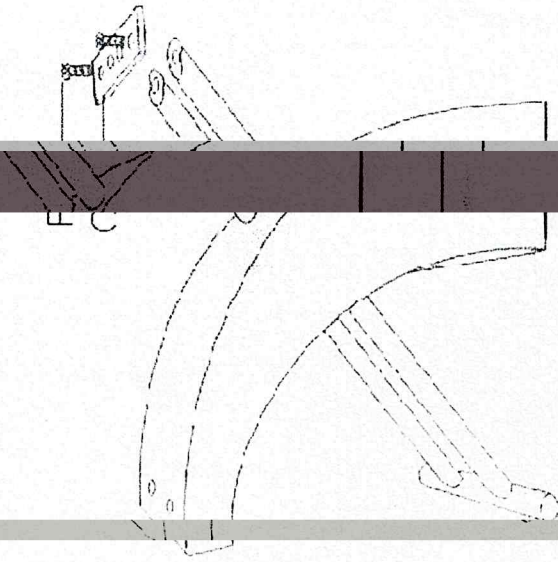


MODEL NO; GD-10

1



2



A



1

B



1

C



1

D



1

E



2

F



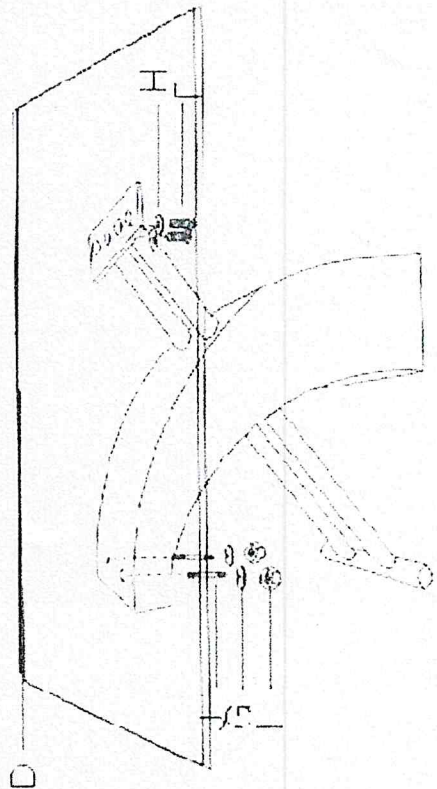
4

G



1

3



4

H



2

I



2

J



2

K



2

L



1

M



1