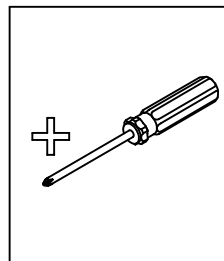
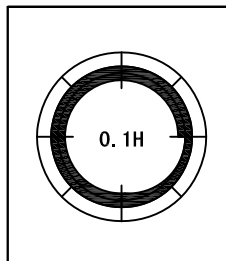
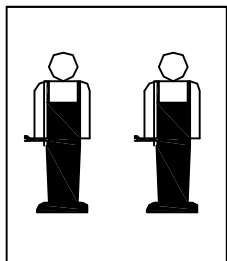
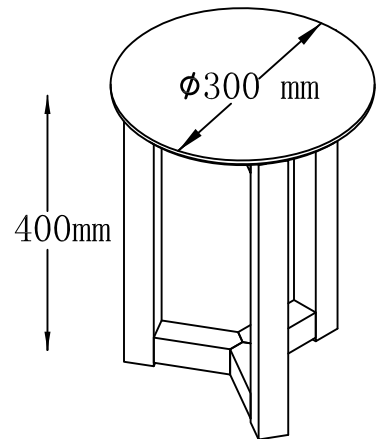
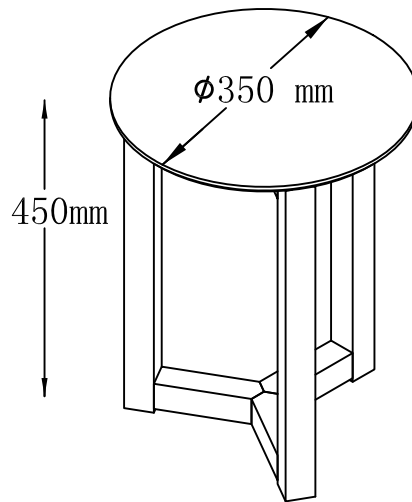
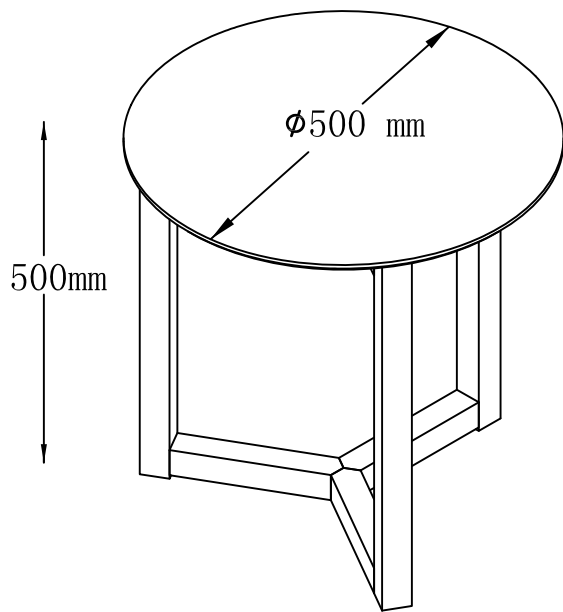
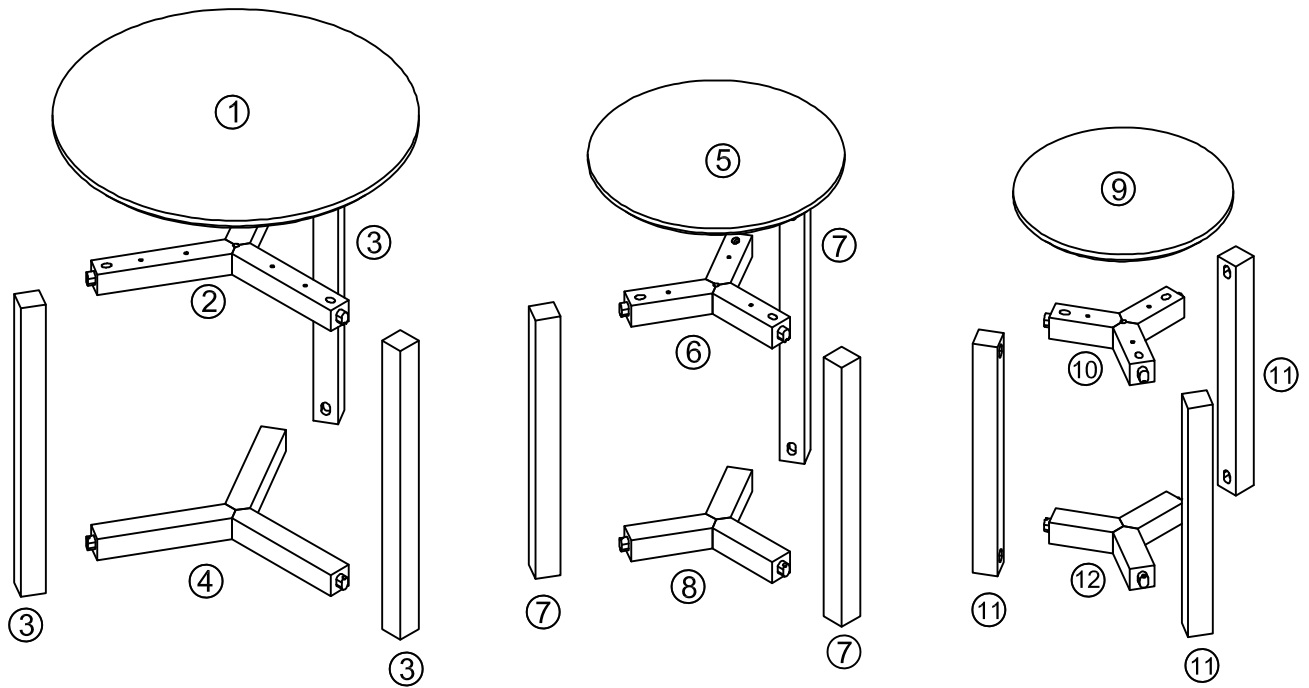
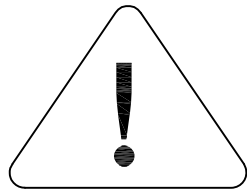
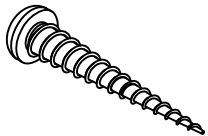
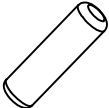




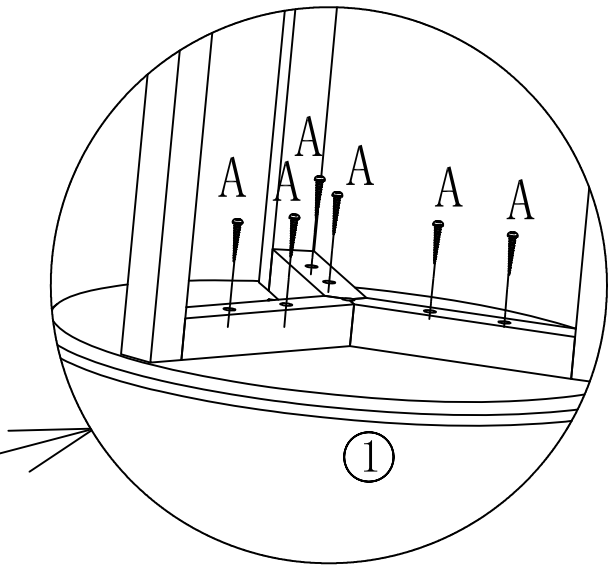
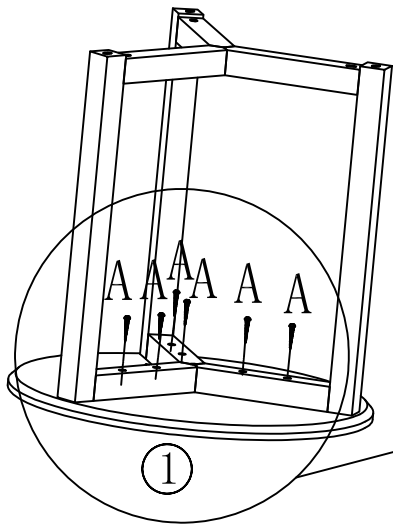
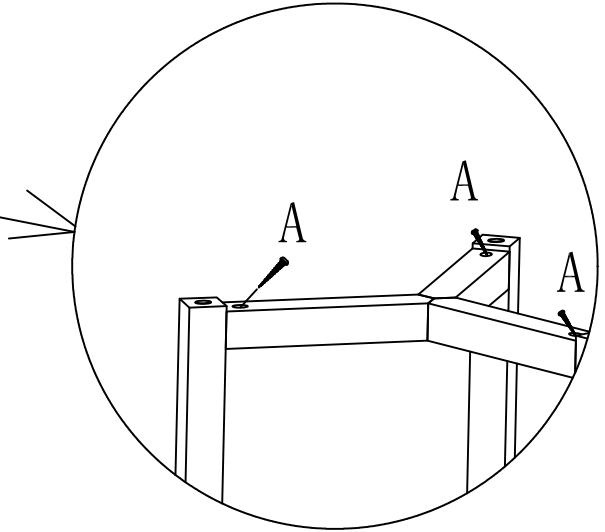
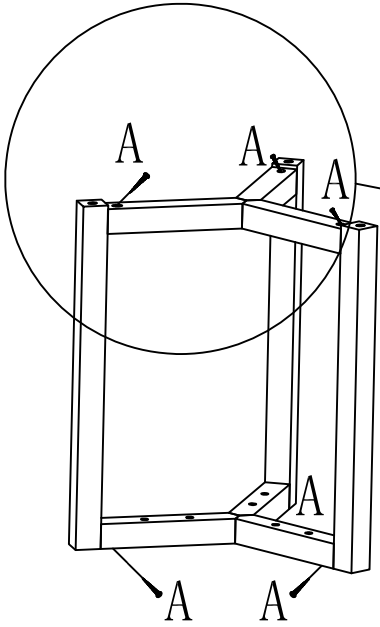
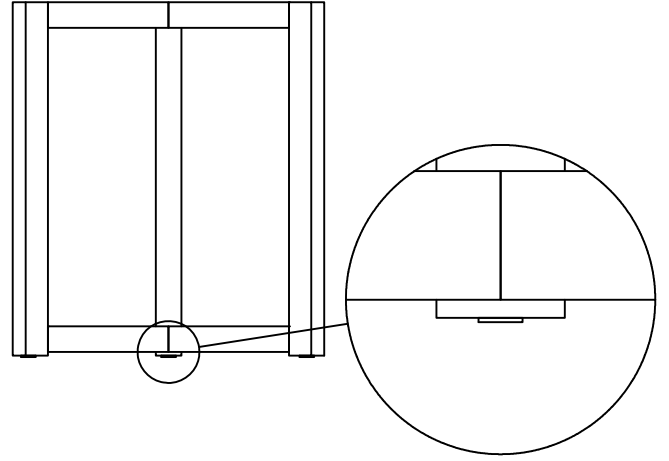
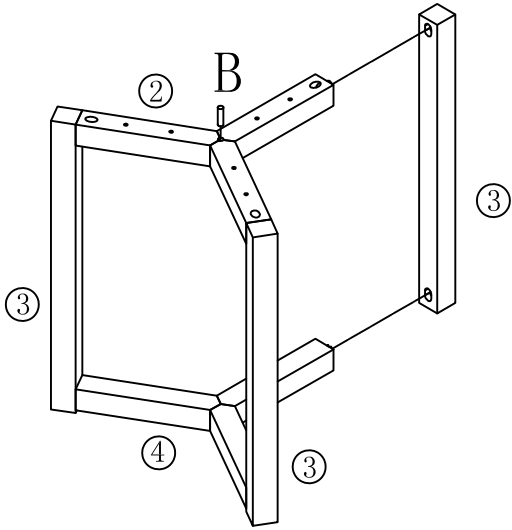
# Osaka





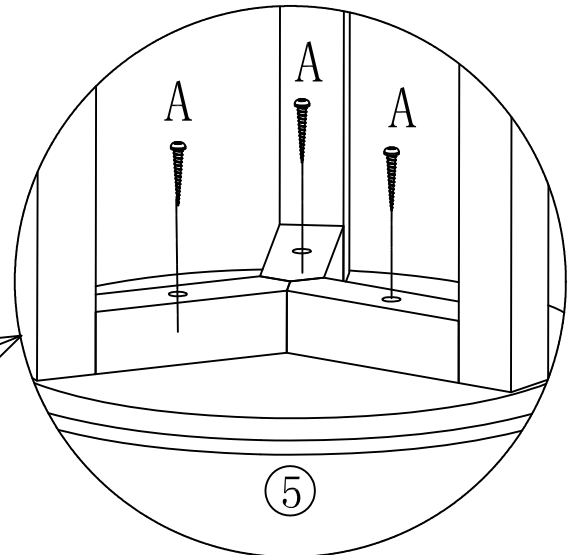
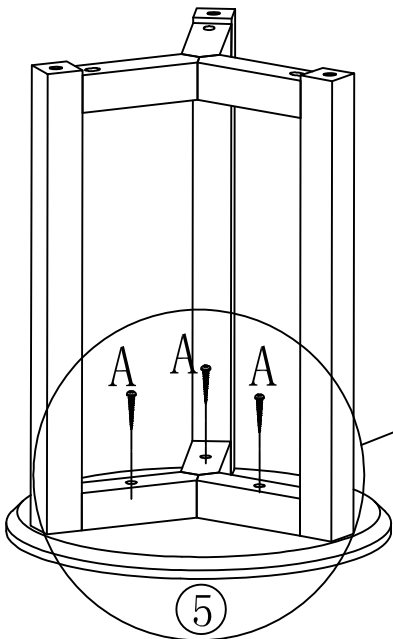
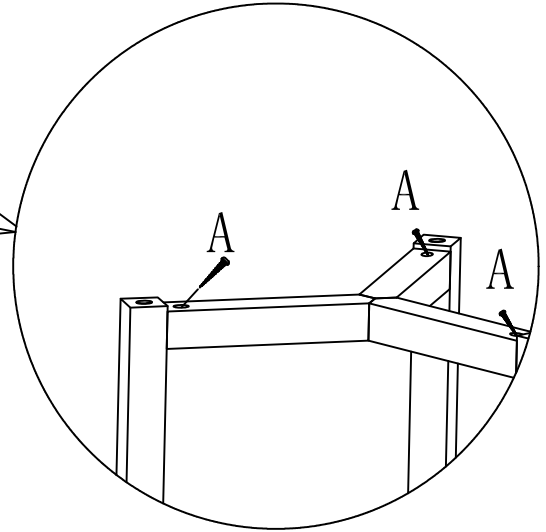
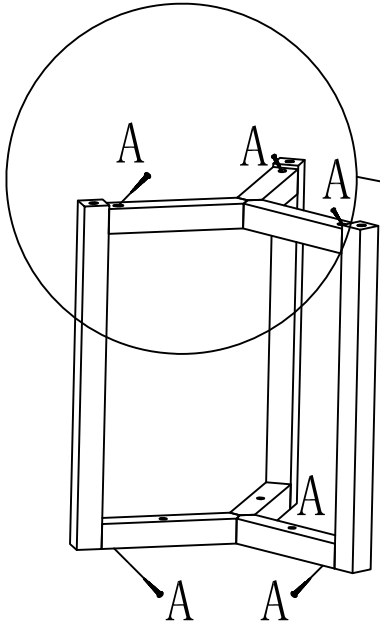
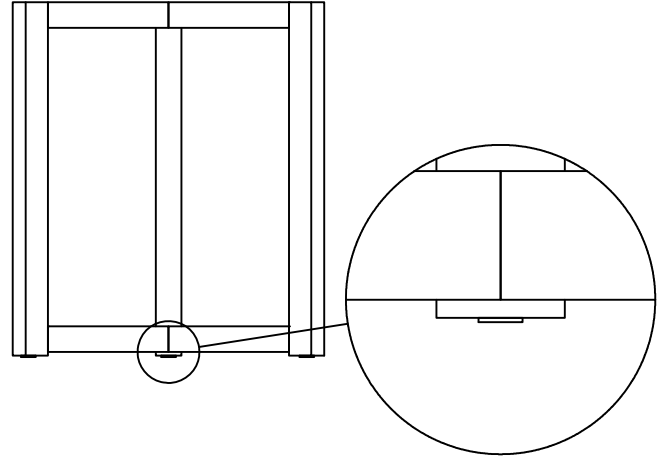
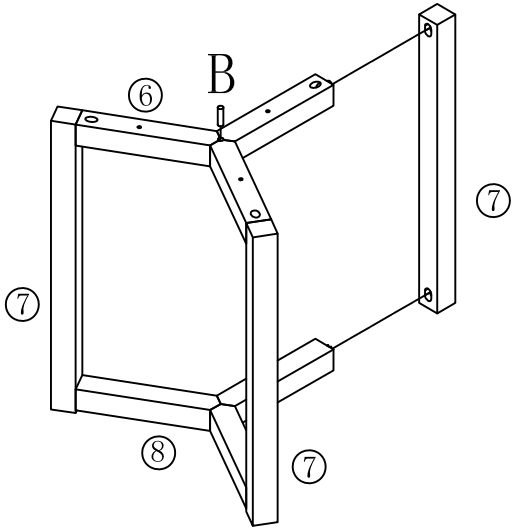




<p>A x30 Ø4*40</p> 	<p>B x3 Ø7.8*20</p> 
--	---

1	A x12 	B x1 
---	--	---



2	A x9 	B x1 
---	---	---



3	A x9 	B x1 
---	---	---

