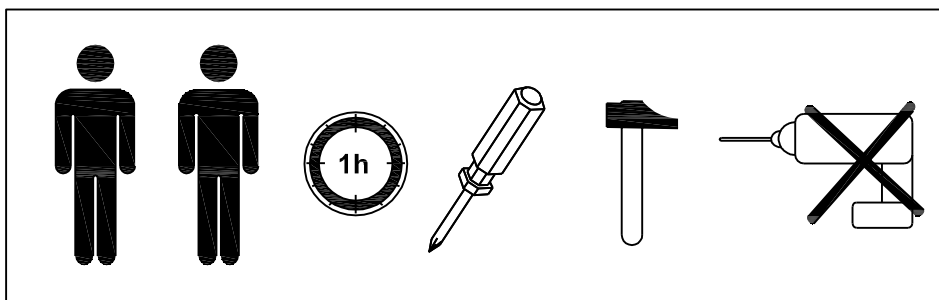
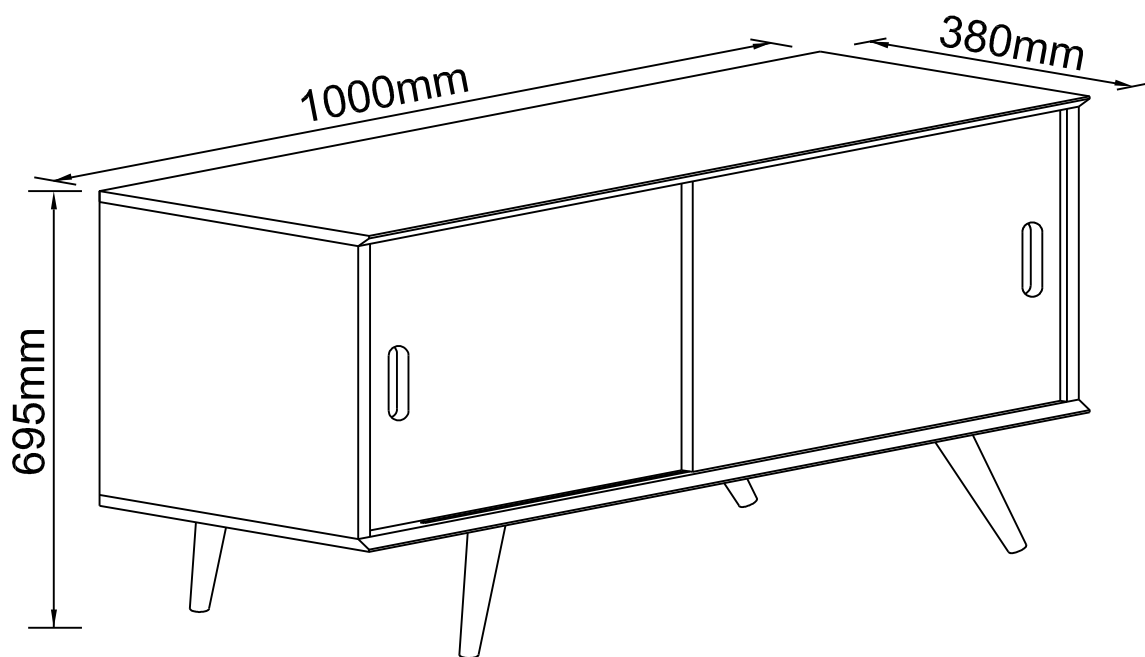
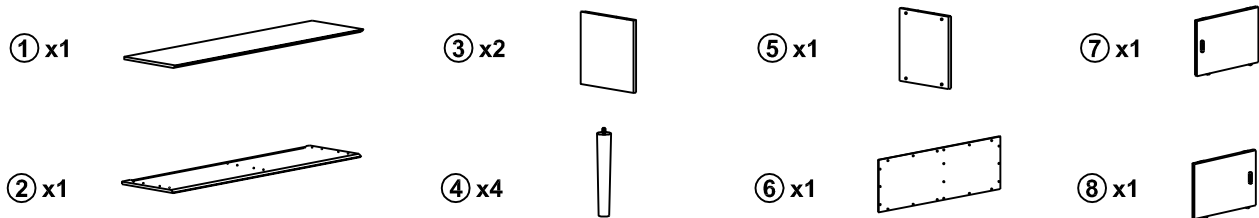
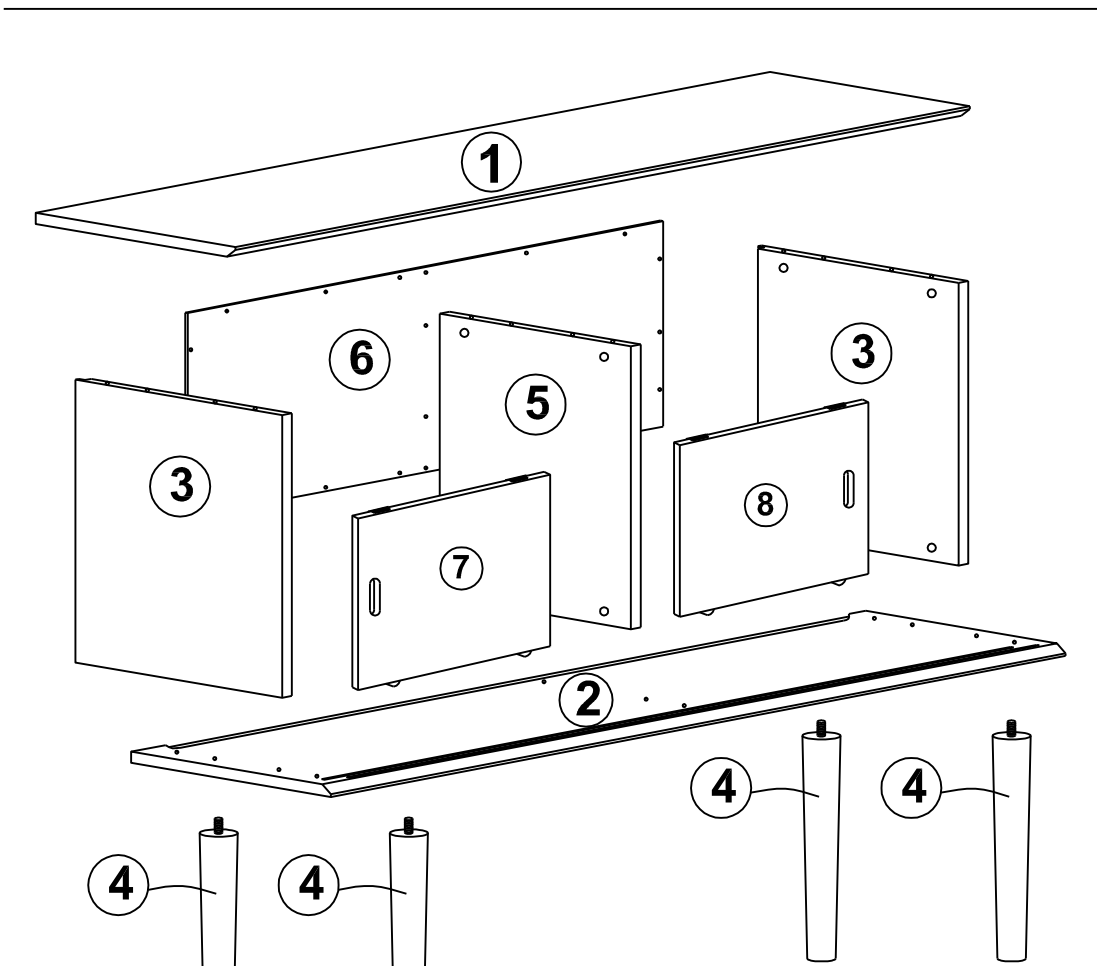


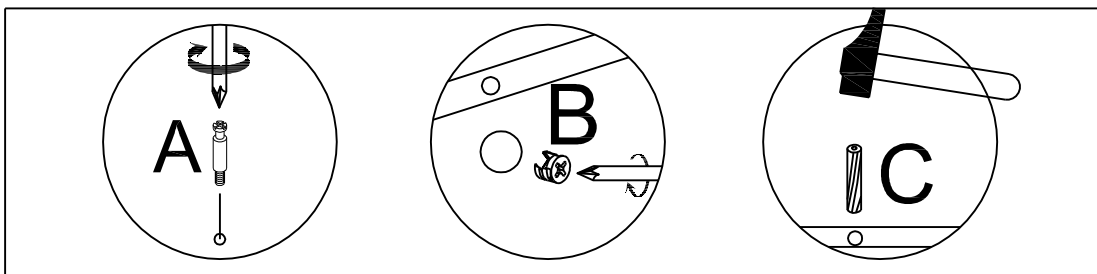
# Mitra

---

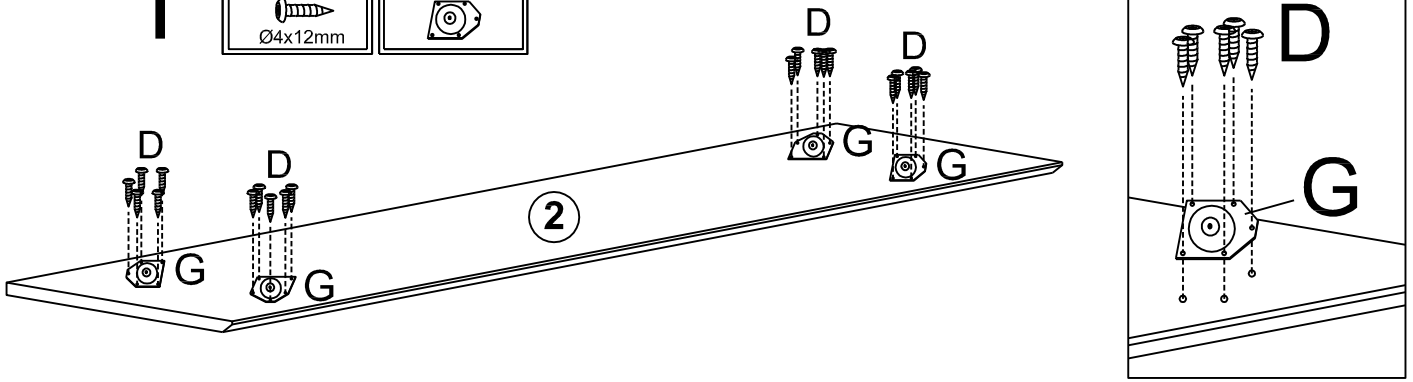
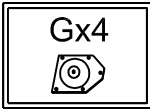
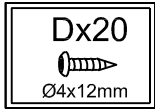




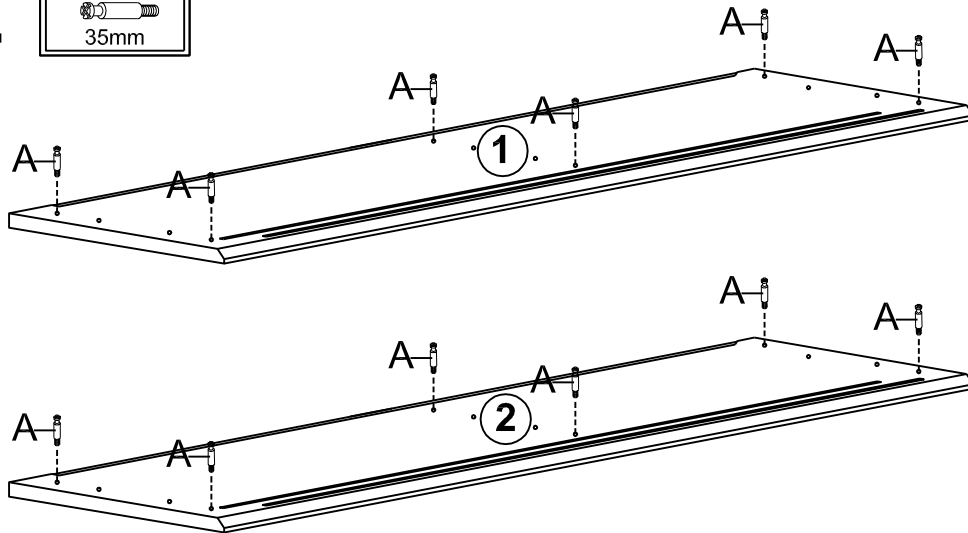
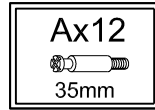
Ax12	Bx12	Cx12	Dx20	Ex18	Fx8
35mm	Ø15x10mm	Ø6x30mm	Ø4x12mm	Ø1x16mm	Ø3x10mm
Gx4	Hx1	Ix1	Jx12	Kx4	Lx2
	Ø3x16mm	170mm			



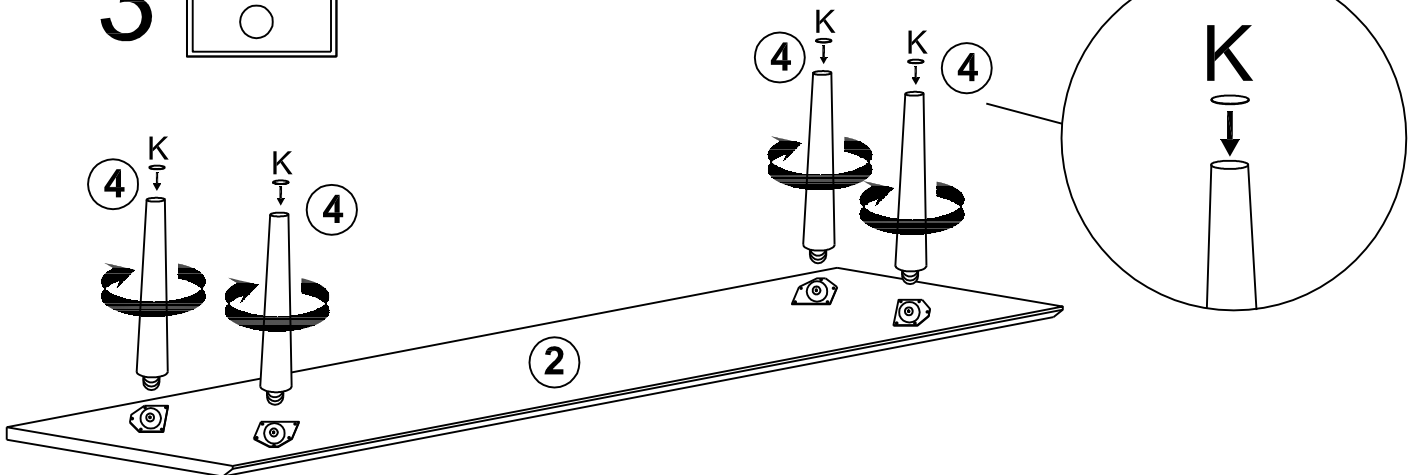
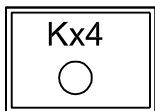
1



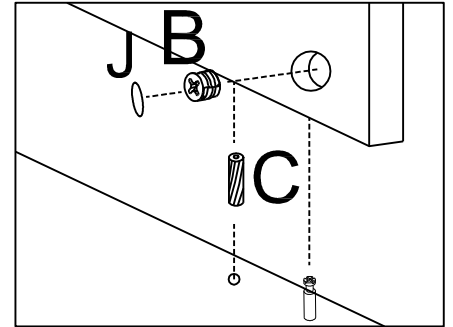
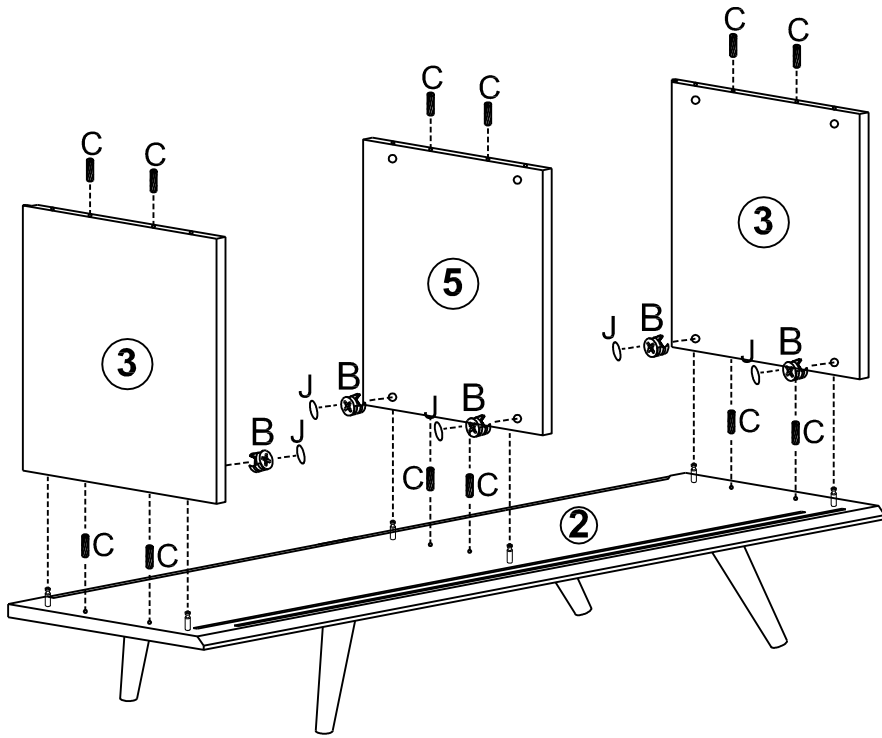
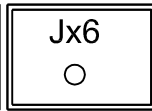
2



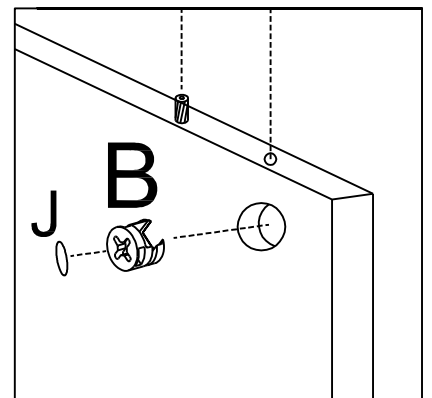
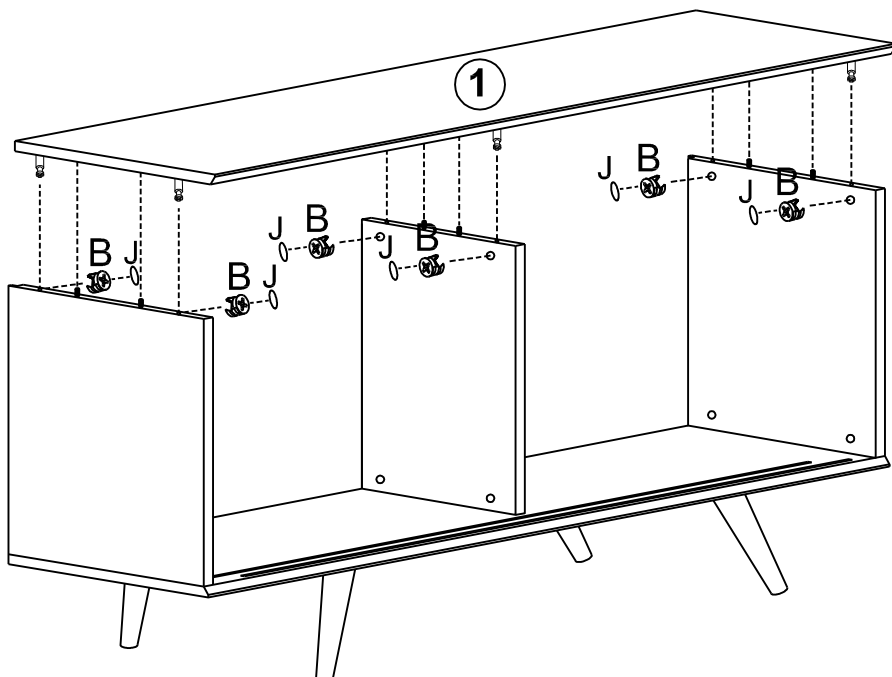
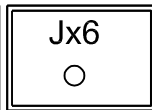
3



4



5



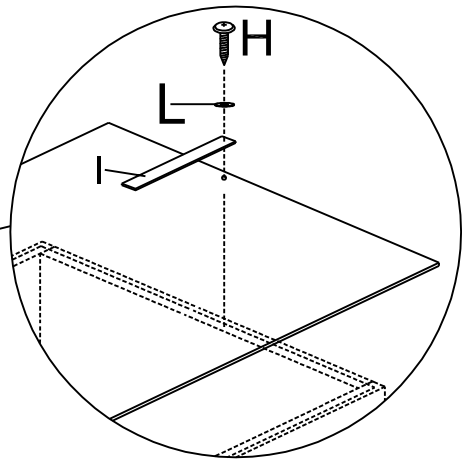
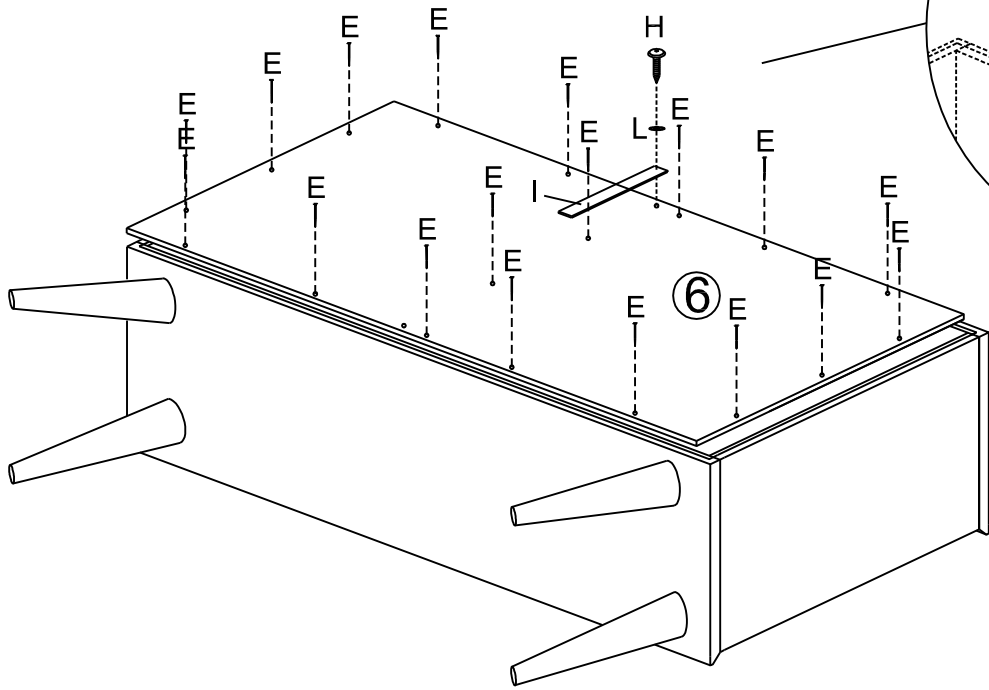
6

Ex18  
Ø1x16mm

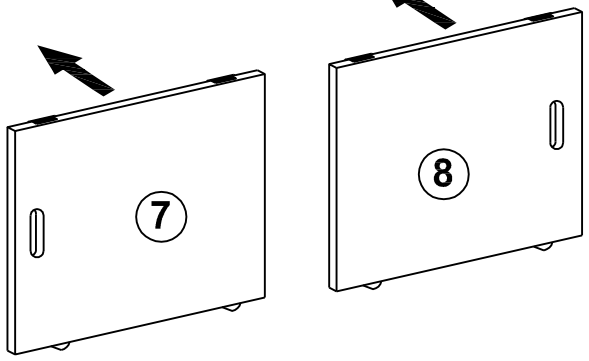
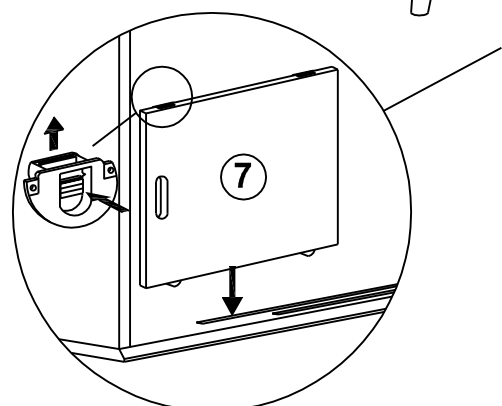
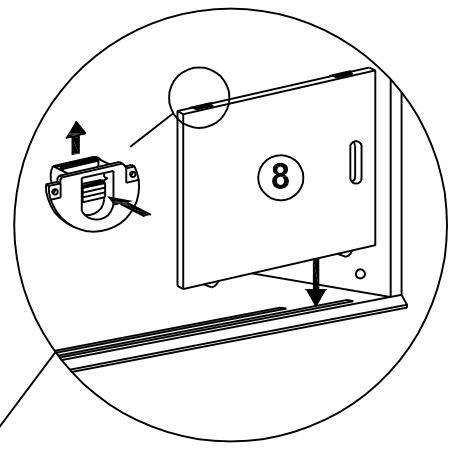
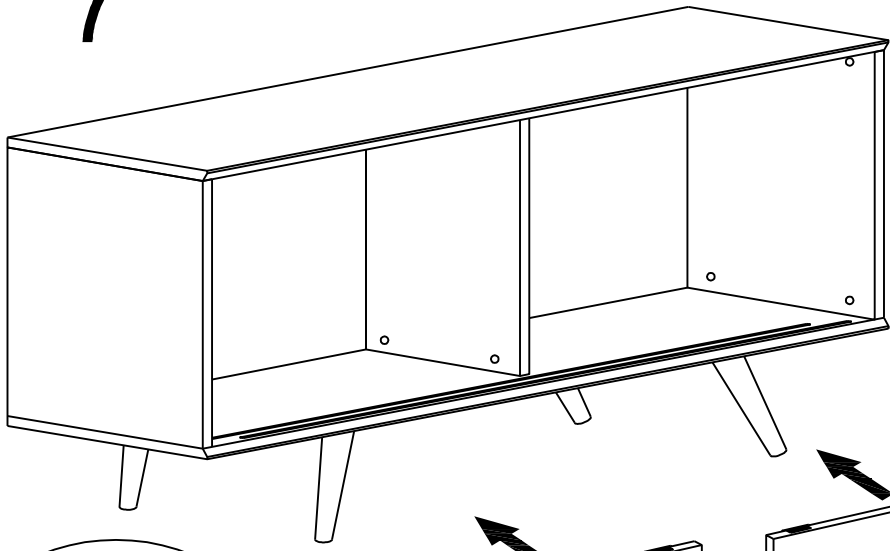
Hx1  
Ø3x16mm

Ix1  
170mm

Lx1  
●

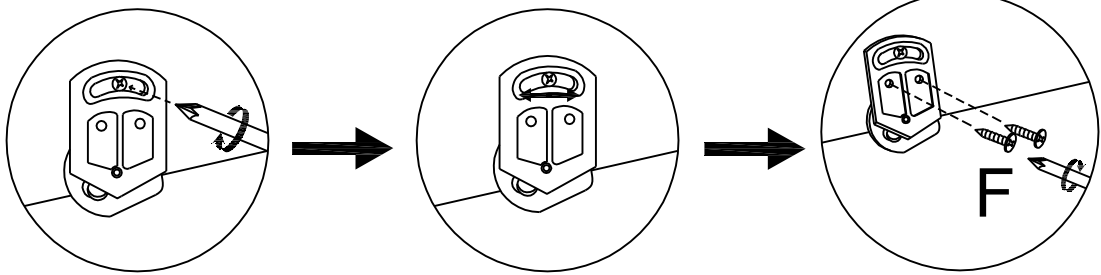
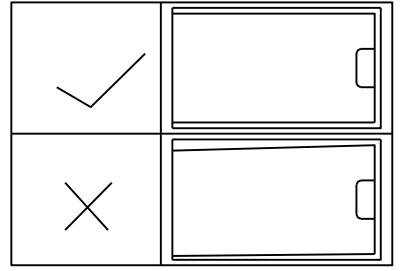
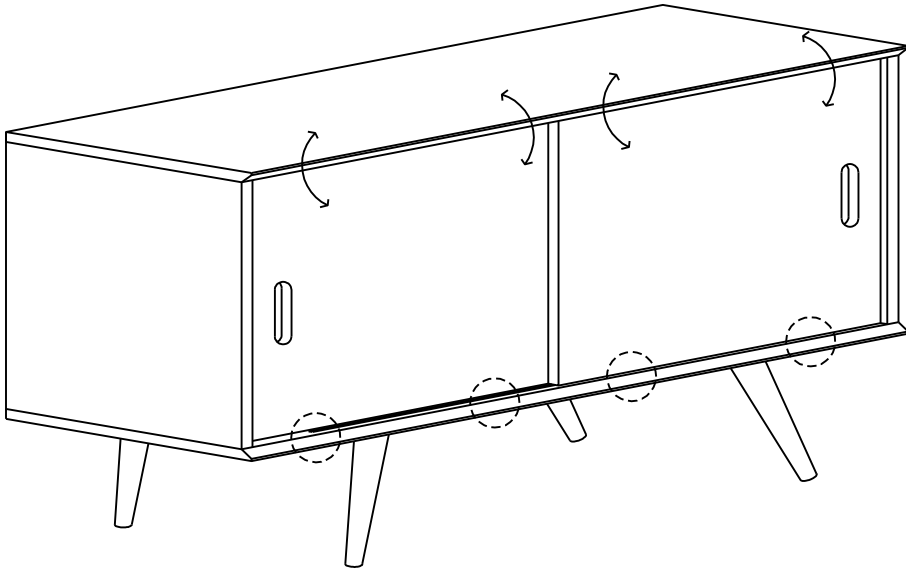
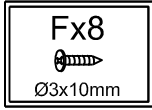


7



5

8



9

